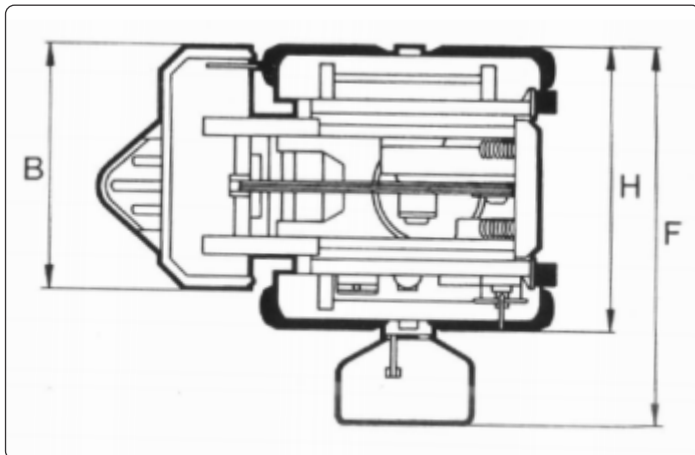
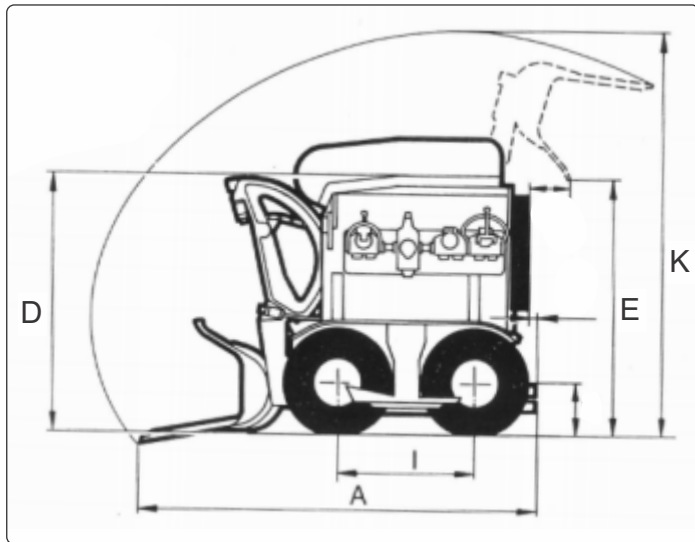


**RMT C310 Loader** is mounted on four extra rubber moulded tyres. **Loader** is used for filling the machine hopper with the required raw material without human intervention. These rugged, reliable, fast and easily manoeuvrable hopper loaders are used in mines, tunnels, slopes, draw points etc. With **RMT Hopper Loader**, one person can easily handle loading, transport and unloading. A powerful air cylinder is used for unloading the material from the loader.



Model #	RMT C310
Hopper length	270 mm
Hooper weight	3050 kg (appx)
Traction moor	2 x 8.5hp (rating at 6 kg/cm <sup>2</sup> [85 psi])
Bucket operating moor	2 x 10hp (rating at 6 kg/cm <sup>2</sup> [85 psi])
Bucket capacity	0.13m <sup>3</sup> - 4.5 ft <sup>3</sup>
Hopper capacity	1m <sup>3</sup> - 35.3 f <sup>3</sup> (1mtr)
Air Pressure	5 - 7 kg/cm <sup>2</sup> (71 - 100 psi)
Travelling speed	1 - 1.4 m/sec
Air connection	40 mm (6 - 7 kg/cm <sup>2</sup> )
Air consumption	300 - 350 CFM
Tyre pressure	3.8 kg/cm <sup>2</sup> (54 psi)
Tyre dimension	8.25" x 12"
Hose connection	1½" (38 mm)
Ground clearance	115 mm

20 Feb 2024 | 100.18.01

(A) Bucket length – downwards	2920 mm
(B) Bucket length	1250 mm
(D) Bucket height – upwards	2120 mm
(E) Hopper height	1450 mm
(F) Hopper width	1900 mm
(H) Width from 1 tyre to other	1360 mm
(I) Wheel centre distance	910 mm
(K) Height with body upwards	2410 mm

## What is good about it

- Technically Equivalent to **Cavo 310 of Atlas Copco**
- 2 nos. traction ear box with case hardened gear train and 2 nos. vane motor for 4 wheel drive
- Chain drive bucket system with double vane type air motor
- Three stage air dumping cylinder with hard nickel plated body & PU seals
- 3 pieces spherical bearing in both side arms
- Easy hand control for travelling, bucket operation and dumping
- 4+1 nos. 7.00 X 12.00 “tyre tube” type enlarged to 9.00 X 12.00